

MOND PRISM

free standing luminaire



The MOND PRISM come with minimalist design , excellent material selection and production technology , exquisite appearance , and rich texture . A variety of combinations of lamp head design is accessible for office lighting scenes consisting of a variety of desks.

Its luminous efficiency is up to 135LM/W. the maximum power is 100W, and the luminous flux can reach 13500 lumens; Supports brightness adjustment, color temperature adjustment, motion detection, and constant light control. CANSAMBI/TUYA or OSRAM BT CONTROL enables network control such as HCL and SWARM functions.

6063 aluminum and PMMA/PC material, the lighting from the lamp head, with the ratio of upper and lower light is 8:2, UGR < 14, is soft and comfortable. The light pole is made of 6063 aluminum with built-in power supply and control system. The base is made of hot-rolled steel plate.

Features

Compact and quality appearance, patent design with rich texture and visual impact

High lumen efficiency reach to 135LM/W, fitting with a 2700lm direct and 10800lm indirect lights, total 13500lm lumen output

Direct and indirect light control Individually

Support for smart control functions

- Touch panel dimming
- Motion sensor
- Day light sensor(optional)
- Tunable white
- CASAMBI(Customizable)
- HCL(Customizable)
- SWARM(Customizable))

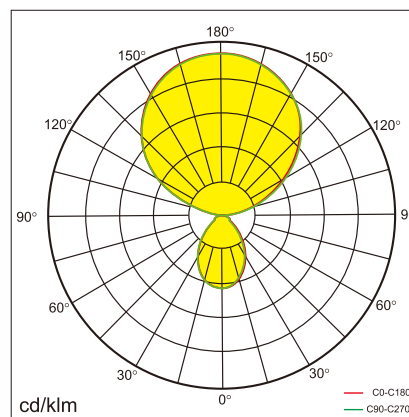
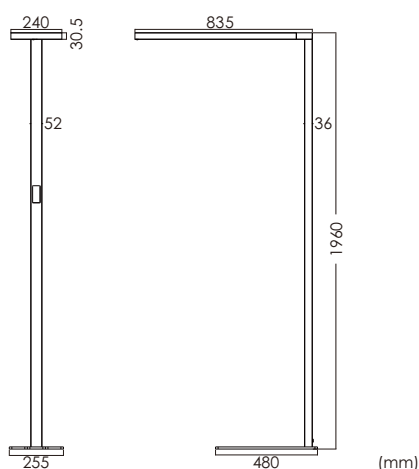
5 years warranty

Application Areas

For personal offices, public offices and other office space.



Technical data



Item No.	1908024-BD	1908024-CD
Input Power	↑56W/24W↓	↑56W/24W↓
Input Voltage	AC200~240V	AC200~240V
Power Factor	≥0.9	≥0.9
Luminous Flux(±5%)	↑7280lm/3120lm↓	↑7000lm/3000lm↓
UGR	<14	<14
Color Rendering Index	>80	>80
Life Time	L80(B10)50,000H	L80(B10)50,000H
Beam Angle	↑115°/75°↓	↑115°/75°↓
CCT	3000/4000/6000K	3000~6000K
Colour consistency SDCM	< 3	< 3
Dimming	Touchpaneldimming	Touchpaneldimming
Sensor	Daylight sensor Motion sensor	Daylight sensor Motion sensor
Housing Color	Silver/White	Silver/White
Fixture Materia	6063AL	6063AL
Protection Level	IP20	IP20
Storage Temperature	-40°C~+80°C	-40°C~+80°C
Working Temperature	-20°C~+45°C	-20°C~+45°C
Net Weight	15.1kg	15.1kg
Package size	920*335*130mm(head&base) 2085*315*195mm(pole)	920*335*130mm(head&base) 2085*315*195mm(pole)
20GP	450pcs	450pcs
40GP	945pcs	945pcs

Technical data

Item No.	1910020-BD	1910020-CD
Input Power	↑80W/20W↓	↑80W/20W↓
Input Voltage	AC200~240V	AC200~240V
Power Factor	≥0.9	≥0.9
Luminous Flux(±5%)	↑10500lm/2800lm↓	↑10500lm/2800lm↓
UGR	<14	<14
Color Rendering Index	>80	>80
Life Time	L80(B10)50,000H	L80(B10)50,000H
Beam Angle	↑115°/75°↓	↑115°/75°↓
CCT	3000/4000/6000K	3000~6000K
Colour consistency SDCM	< 3	< 3
Dimming	Touchpanel dimming (control Individually)	Touchpanel dimming (control Individually)
Sensor	Daylight sensor Motion sensor	Daylight sensor Motion sensor
Housing Color	Silver/White	Silver/White
Fixture Materia	6063AL	6063AL
Protection Level	IP20	IP20
Storage Temperature	-40°C~+80°C	-40°C~+80°C
Working Temperature	-20°C~+45°C	-20°C~+45°C
Net Weight	15.1kg	15.1kg
Package size	920*335*130mm(head&base) 2085*315*195mm(pole)	920*335*130mm(head&base) 2085*315*195mm(pole)
20GP	450pcs	450pcs
40GP	942pcs	942pcs